

FIRE ALARM CALL POINT (D-108)



Model D-108

DEMCO ADVANTAGES

- Double terminal wire connectors for independent input and output connections which facilitate installations when used in looping.
- Provision of thread protection plugs which protect the thread of the brass inserts on the base box when conceal fixing is necessary.
- Incorporation of the instant test operation which is activated by a special key provided.

SPECIFICATION

Size	88mm X 88mm X 55mm
Current Ratings	12/24V DC 10A 48V DC 3A 250V AC 10A
Net/Gross Weight	160/184g
Connections	TERMINAL- MAX 2.5mm ² CABLE

**AUSTRALIAN STANDARD
CERTIFICATE NO. 345**

DESCRIPTION

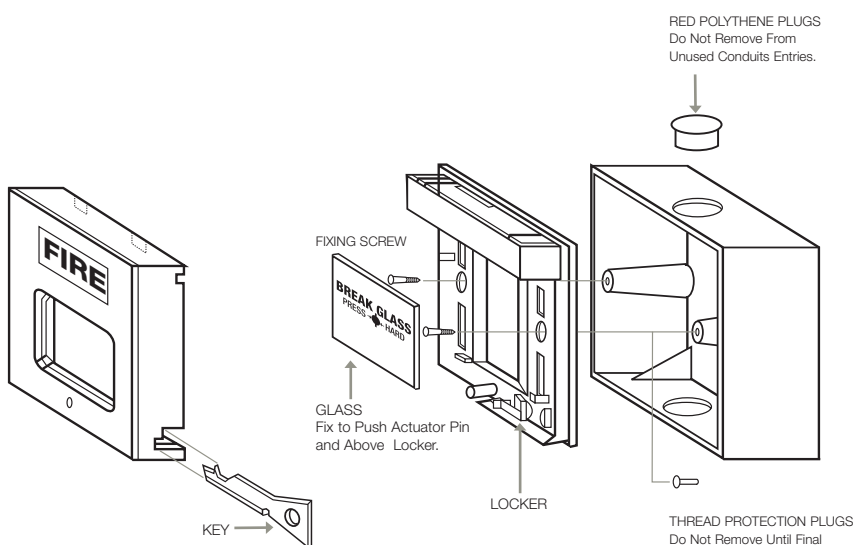
Demco Manual Call Point **D-108** is suitable for open or close circuit system and is professionally designed for use in fire detection systems with central control equipment. Alternative terminals are provided for open or close circuits. When wired for open circuit operation, the circuit closes instantly when the glass is smashed. Openings are provided for 3/4" Ø conduit entries from top, bottom and the back. The casings are

moulded from specially selected engineering plastic, which comes in 5 different colours, with high impact strength, high resistance to heat. All metal parts are made of brass and phosphor bronze to ensure life long resistance against corrosion. A high reliability micro switch is also included.

D-108 is designed to meet the requirement of BS5839 Part 2 and approved by Australian Standard AS1603 Part 5.

OPTIONAL FEATURES

- Polycarbonate transparent protection cover
- Super bright light emitting diode (LED)
- Monitoring resistor
- Blocking diode
- Switch Choices - Two Single Pole Double Throw (SPDT) Micro Switch. Six Terminal Provided



RANGE OF CASING COLOURS
White, Yellow, Green, Red, Blue

DEMCO
INDUSTRIES SDN BHD

9 Lrg 38 • Kaw 16
off Jln Connaught Bridge
Industrial Site
41300 Klang, Selangor D.E.
W. MALAYSIA
TEL: 603•33423488, 89
FAX: 603•33421926
E-MAIL: demco@tm.net.my
URL: www.demcoalarm.com

